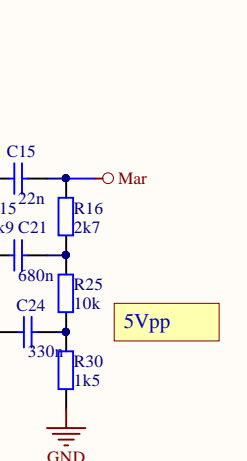
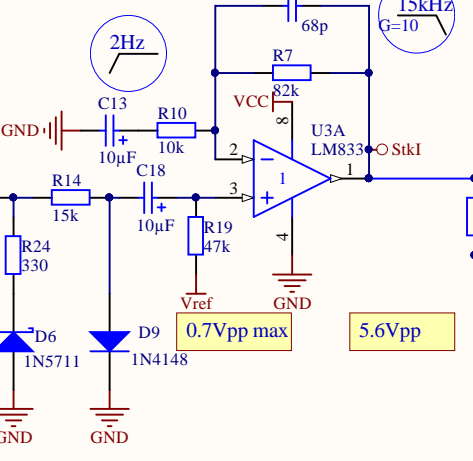
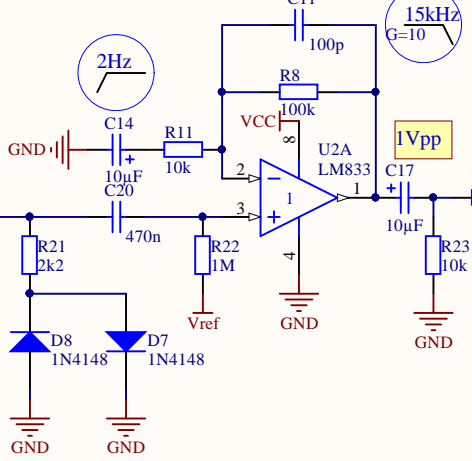
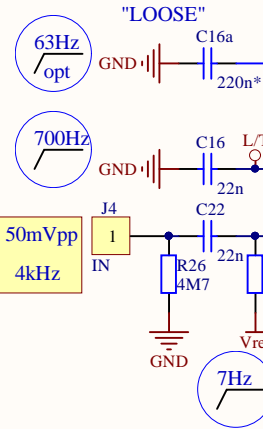
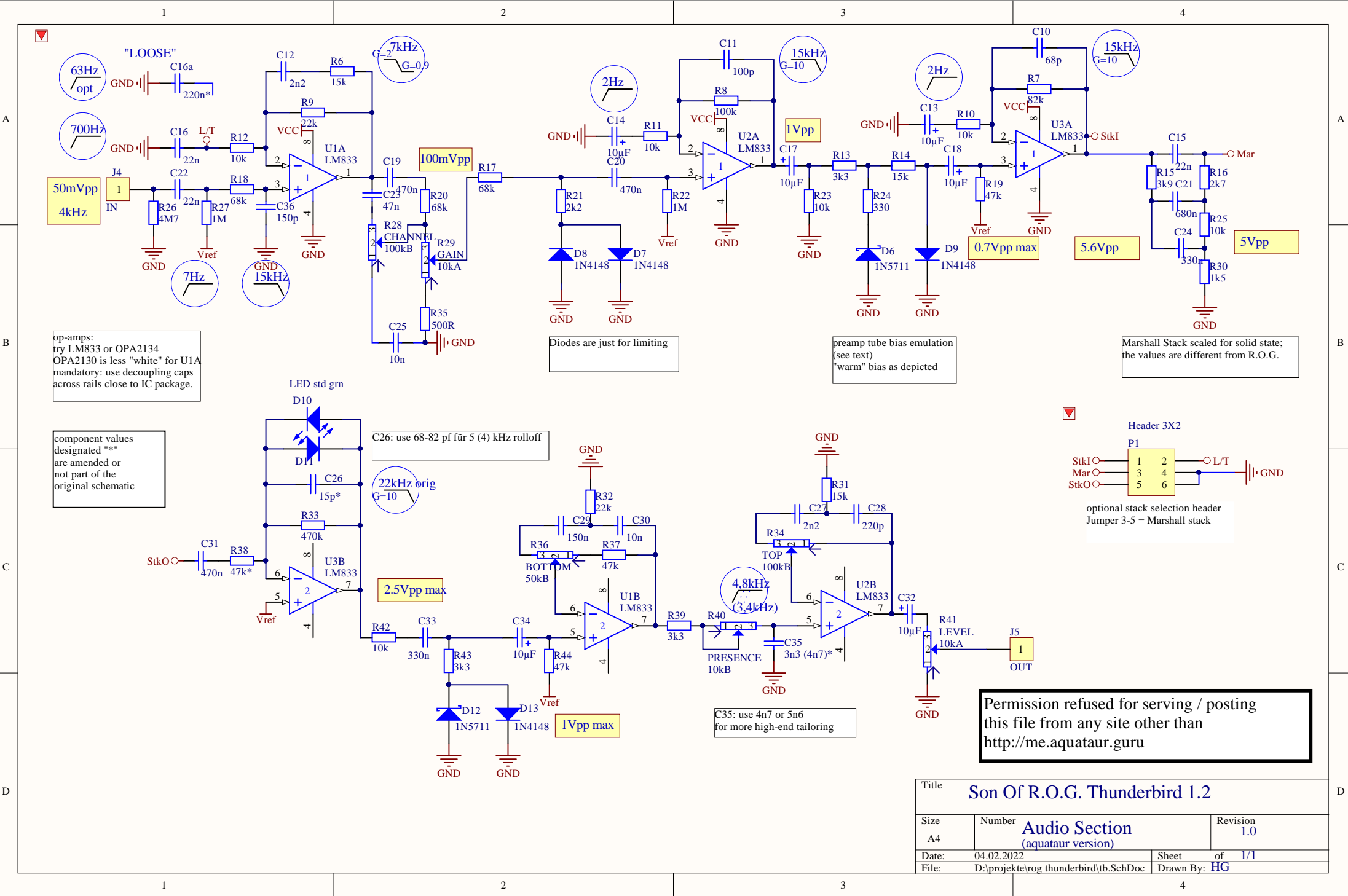


Permission refused for serving / posting this file from any site other than <http://me.aquataur.guru>

Title		
Son Of R.O.G. Thunderbird 1.2		
Size	Number	Revision
A4	PSU (aquataur version)	1.0
Date:	04.02.2022	Sheet of 1/1
File:	D:\projekte\rog thunderbird\psu.SchDoc	Drawn By: HG



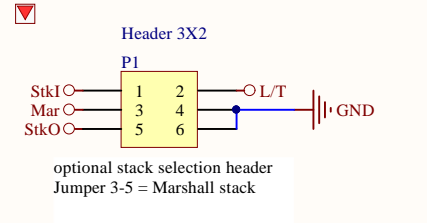
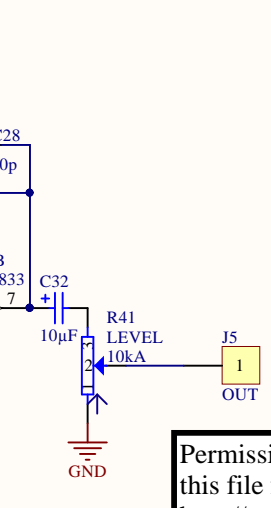
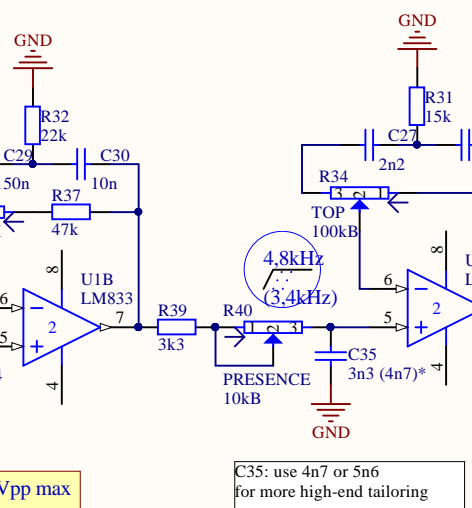
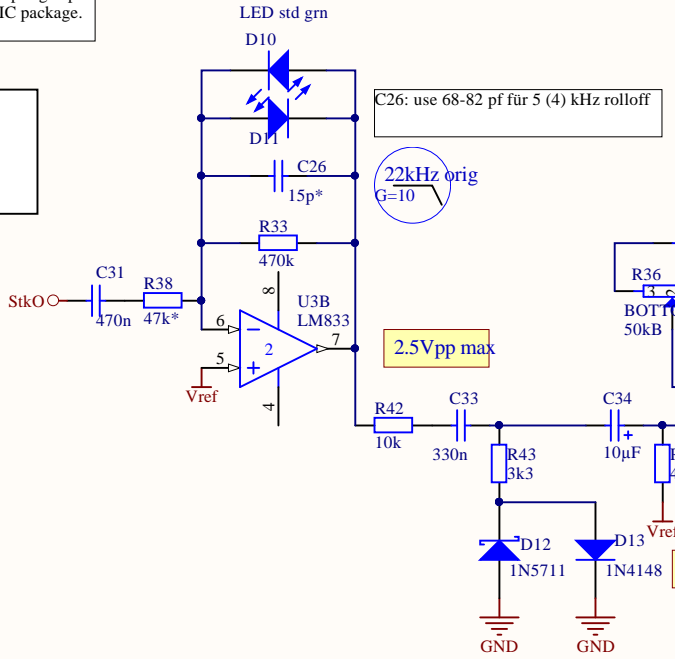
op-amps:
try LM833 or OPA2134
OPA2130 is less "white" for U1A
mandatory: use decoupling caps
across rails close to IC package.

Diodes are just for limiting

preamp tube bias emulation
(see text)
"warm" bias as depicted

Marshall Stack scaled for solid state;
the values are different from R.O.G.

component values
designated "*" are amended or
not part of the
original schematic



Permission refused for serving / posting
this file from any site other than
<http://me.aquataur.guru>

Title			Son Of R.O.G. Thunderbird 1.2		
Size	Number	Revision			
A4	Audio Section (aquataur version)	1.0			
Date:	04.02.2022	Sheet	of	1/1	
File:	D:\projekte\rog thunderbird\tb.SchDoc	Drawn By:	HG		