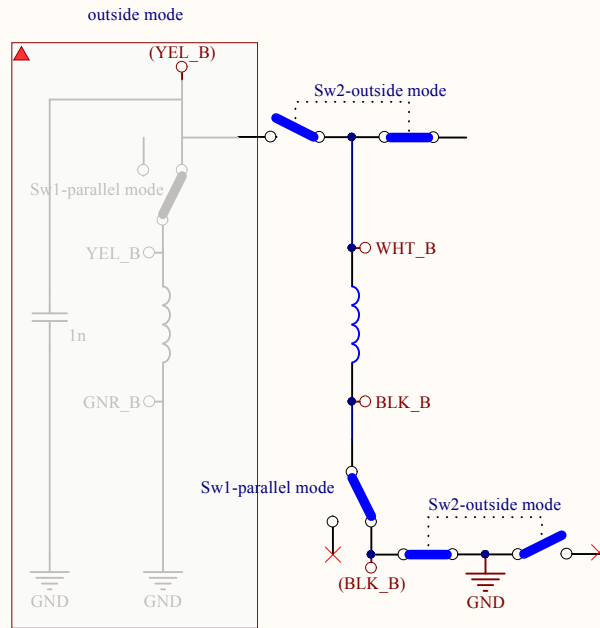
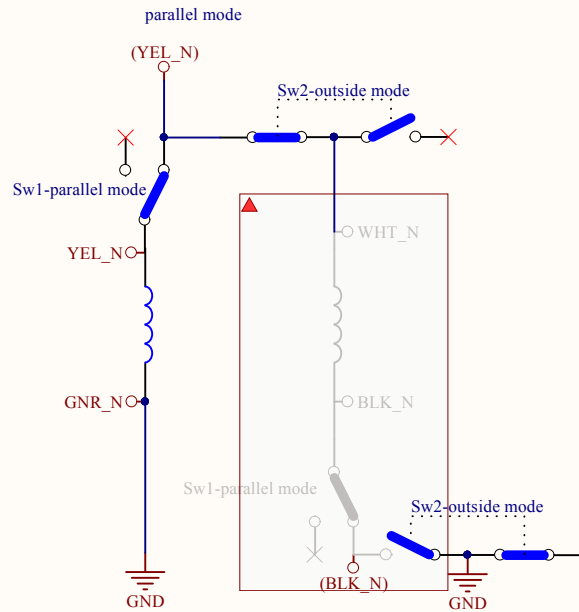
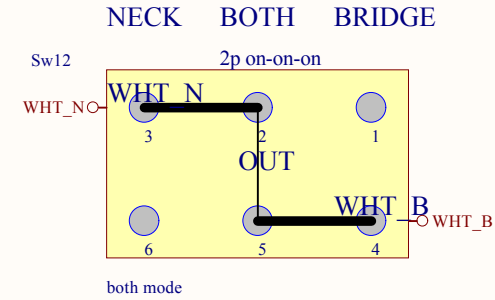
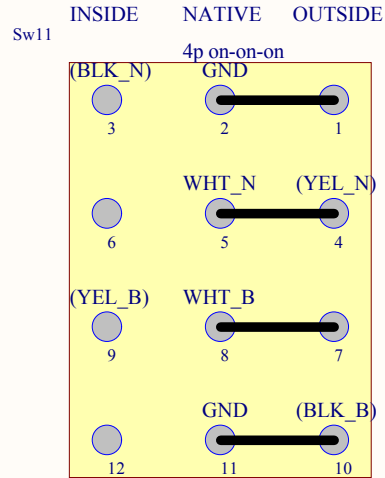
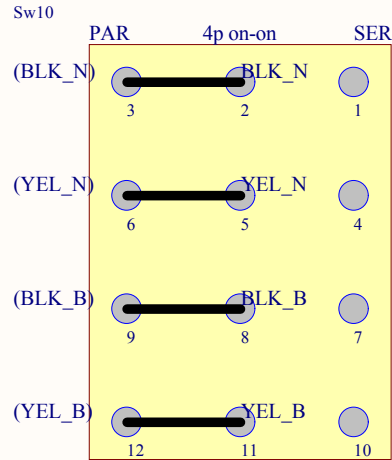


Serial / Parallel Switch:  
 Signals BLK\_N, YEL\_N, BLK\_B and YEL\_B are connected to Signals (BLK\_N), (YEL\_N), (BLK\_B) and (YEL\_B) in "parallel" mode .  
 They are disconnected from the serial bridges and associated circuitry.

Parallel pairs switch settings change signals  
 BLK\_N, YEL\_N, BLK\_B and YEL\_B via the (bracket) signals.

Source selector switch shown in "BOTH" mode,  
 in which case both sources N+B are in parallel.  
 In positions N resp. B those sources are soloed.

Note: This is a modified version of the original wiring



Permission refused for serving / posting  
 this file from any site other than  
 aquataur.at.tf

Title		
L2000 serial/inner/parallel/outer switching		
Size	Number	Revision
A4	Outer Pair Parallel (=Cross-) Mode	1.0
Date:	09.04.2019	Sheet of
File:	D:\projekte\...\outer pair.SchDoc	Drawn By HG